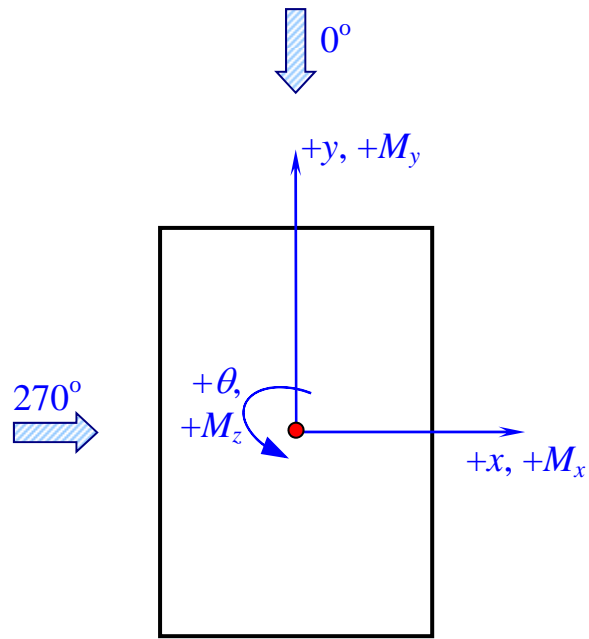


(a)



(b)

Figure 4. Coordinate system and sign convention for (a) Building A and (b) Building B